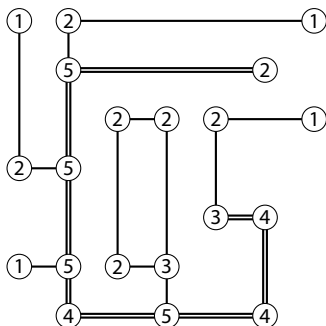


Solution to BRIDGES:

Completing the puzzle according to the rules and following the double lines gives the letter G.



Congratulations to Diane Selwyn, Aaron Szasz, and Jongyoon Lee who were the first three to submit the correct answer to last week's puzzle on our website (<http://puzzle.berkeley.edu>).

The Campus League of Puzzlers is a group of students and alums who enjoy writing and solving puzzles. Our main event is the annual Berkeley Mystery Hunt, a 12 hour puzzle solving competition for teams of up to 10 people. This year's hunt will be Sunday, May 4; we'll have more information for you as that date nears.

The goal of this column, which runs in the Daily Cal and on our Facebook page each Thursday, is to introduce you to a wide variety of puzzles. The solutions to each of the puzzles will clue a single letter of the English alphabet. When you've solved the puzzle, visit our website to confirm your answer.

This week's puzzle is called a variogram. For each column and row, there are two clues given. Fill the two answers into the grid (in the order given, and not overlapping each other), putting one, two or three letters in each square. The across and down answers will overlap, crossword-style. When you're done, shade the squares that contain a single letter to reveal the answer.

Week 4: VARIOGRAM

	1.	2.	3.	4.	5.	6.
1.						
2.						
3.						
4.						
5.						
6.						

Across:

- Greek ship with three rows of oars; Ecclesiastic chess piece
- Opposite of boom; Engagement at sea
- Horse's noise; Molecules with two carbon double bonds
- Printer requirement; Cranny or small rift
- Duchamp's "Fountain"; Word before or after "as"
- Pupil; Biased type

Down:

- Oakland daily newspaper; Sightseer
- Someone who quits; Kind of beach
- "Breaking Bad" product; Jargon
- Dot on the forehead; Fired up again
- Beardless; Related to sight
- Shimmer iridescently; Stylish